

ACROPAQ

User Manual

A3 Laminator

AL3600

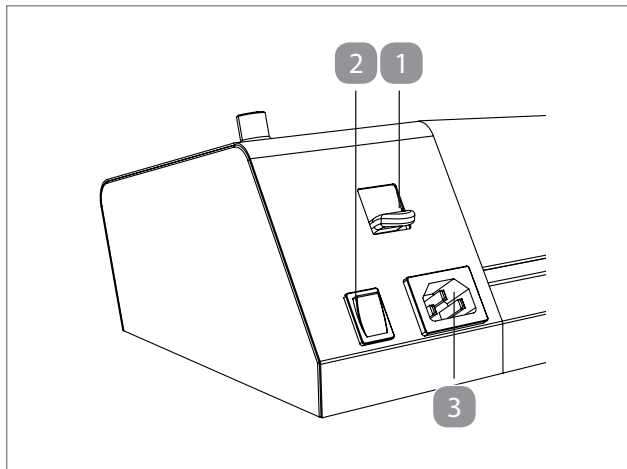
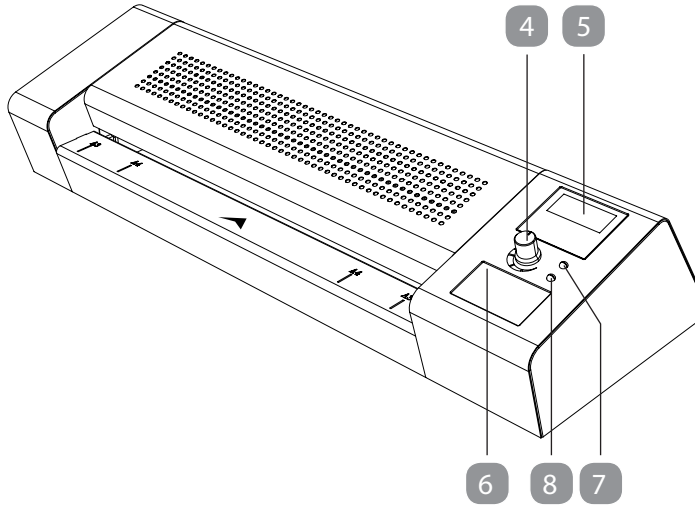


Contents

- Overview3**
- Package contents/device parts.....4**
- General information5**
 - Reading and storing the user manual..... 5
 - Explanation of symbols 5
- Safety6**
 - Proper use 6
 - Safety instructions..... 6
- First use10**
 - Checking the laminator and package contents 10
 - Setting up the laminator..... 10
- Operation.....10**
 - Laminating 11
 - Configuration chart..... 13
 - Pouch use instruction..... 13
- Cleaning14**
- Storage15**
- Technical data15**
- Declaration of conformity.....16**
- Disposal.....16**
 - Disposing of the packaging..... 16
 - Disposing of the old devices 16
- Warranty card.....17**

ACR-003OL355052019

Overview



Package contents/device parts

- 1 Jam release lever
- 2 Power switch
- 3 Power cord socket
- 4 Temperature setting knob
- 5 LCD display
- 6 Temperature figures
- 7 Power light indicator
- 8 Ready light indicator

General information

Reading and storing the user manual



This user manual accompanies this A3 laminator (hereafter referred to as the “laminator”), and contains important information on setup and handling.

Before using the laminator, read the user manual carefully. This particularly applies to the safety instructions. Failure to do so may result in personal injury or damage to the laminator.

The user manual is based on the standards and rules in force in the European Union. When abroad, you must also observe country-specific guidelines and laws.

Store the user manual for further use. Make sure to include this user manual when passing the laminator on to third parties. The user manual can also be downloaded from our website as a PDF file at www.monolith-support.com.

Explanation of symbols

The following symbols and signal words are used in this user manual, on the laminator or on the packaging.



This signal symbol/word designates a hazard with moderate risk, which may result in death or severe injury if not avoided.



This signal word warns of possible damage to property.



This symbol provides you with useful additional information on handling and use.



Declaration of Conformity (see chapter “Declaration of conformity”): Products marked with this symbol meet all applicable Community regulations for the European Economic Area.



Read the user manual.



The laminator complies with protection class II: The laminator is equipped with dual protective insulation and therefore contains no touchable metallic parts, which could conduct voltage in the event of a fault.



Only use the laminator in indoor areas.

Safety

Proper use

The laminator is only designed for laminating.

Only use the laminator as described in this user manual. Any other use is deemed improper and may result in damage to property or even personal injury. The laminator is not a children's toy.

The manufacturer or vendor accepts no liability for damage caused by improper or incorrect use.

Safety instructions



Risk of electric shock!

A faulty electrical installation, excessive line voltage or incorrect operation may result in an electric shock.

- Only connect the laminator in indoor areas to a properly installed AC 220–240 V socket with a protective conductor.
- Plug adapters or extension cords must also be equipped with a protective conductor.
- Only connect the laminator to an easily accessible socket so that you can quickly disconnect it from the mains in case of a failure.
- Do not operate the laminator if it is visibly damaged or if the mains cord or mains plug is defective.
- If the mains cord of the laminator is damaged, the manufacturer, its customer service team or a person with technical qualifications must replace it.

-
- Do not open the housing; instead, have a qualified professional perform the repairs. Contact the service address provided on the warranty card. Liability and warranty claims are waived in the event of repairs or conversions performed by the user, improper connection of the device or incorrect operation.
 - Only parts that comply with the original device data may be used for repairs. Electrical and mechanical parts, which are essential for providing protection against sources of danger, are located in this laminator.
 - Do not operate the laminator with an external timer or separate telecontrol system.
 - Do not immerse the laminator or the mains cord or mains plug in water or other liquids.
 - Never touch the mains plug with damp hands.
 - Do not perform any other work (such as cleaning) on the laminator while it is operating.
 - Never pull the mains plug out of the socket by the mains cord; instead, always do so by taking hold of the mains plug.
 - Never use the mains cord as a carrying handle.
 - Keep the laminator, mains plug and mains cord away from open flames and hot surfaces.
 - Lay the mains cord so that it does not pose a tripping hazard.
 - Do not kink the mains cord and do not lay it over sharp edges.
 - Only use the laminator in indoor areas. Do not use them in wet rooms or in the rain.
 - Never store the laminator so that it is at risk of falling into a bath tub or washbasin.
 - Never reach to retrieve the laminator if it has fallen in water. In such a case, immediately disconnect the mains plug.
 - Make sure that children do not insert any objects into the laminator.

- Always switch the laminator off and pull the mains plug out of the socket when you are not using the laminator, cleaning it or in the event of a fault.



Danger for children and persons with impaired physical, sensory or mental capacities (e.g. partially disabled persons, older persons with reduced physical and mental capacities) or lack of experience and knowledge (e.g. older children).

- This laminator may be used by persons with impaired physical, sensory or mental capacities or those lacking experience and knowledge if they are supervised or have been instructed in how to safely use the laminator and have understood the risks associated with operating it. Children must not play with the laminator. Cleaning and user maintenance must not be performed by children.
- Keep children away from the laminator and connector cable.
- Do not leave the laminator unattended while it is operating and do not perform any other activities during operation.
- Do not allow children to play with the packaging wrapper. Children may get caught in it when playing and suffocate.
- Keep the laminator away from pets.
- Clearly advise other users of the risks.



Risk of damage!

Improper handling of the laminator may damage the laminator.

- Place the laminator on an easily accessible, level, dry, heat-resistant and sufficiently stable work surface. Do not place the laminator on the edge of the work surface.

-
- Avoid the build-up of heat by not placing the laminator directly up against a wall or under cupboards or similar.
 - Protect the laminator from direct sunlight.
 - Never place the laminator on or near hot surfaces (e.g. stove-tops, heaters etc.).
 - Ensure that the mains cord does not come into contact with hot parts.
 - Never expose the laminator to high temperatures (heaters etc.) or to the effects of the weather (rain etc.).
 - Never laminate damp documents or organic objects (e.g. flowers, leaves etc.).
 - Do not cut the laminating pouches into pieces before laminating and do not in any case cut off the sealed edges from the laminating sheets.
 - Stop using the laminator if its plastic parts exhibit cracks or breaks or are deformed. Only replace damaged parts with corresponding original spare parts.
 - Only laminate at room temperature (approx. 10–25 °C).
 - Never insert metallic objects (e. g. paper clips, staples etc.) or objects other than laminating pouches which are intended for this laminator into the laminating pouch infeed slot.
 - The laminator has vents. Never cover them with other objects such as magazines, blankets or similar.
 - Never fill the laminator with liquid.
 - Never attempt to clean the laminator by immersing it in water and do not use a steam cleaner to clean it. Otherwise, you could damage the laminator.

First use

Checking the laminator and package contents

NOTICE!

Risk of damage!

If you are not cautious when opening the packaging with a sharp knife or other pointy object, you may quickly damage the laminator.

- Therefore, be very careful when opening the packaging.
- 1. Take the laminator out of the packaging.
- 2. Check whether the laminator or the individual parts exhibit damage. If this is the case, do not use the laminator. Contact the manufacturer at the service address specified on the warranty card.
- 3. Check to make sure that the delivery is complete.

Setting up the laminator

1. Position the laminator so that there is enough space to insert a laminating pouch. Do not position the laminator directly in front of a wall or other objects.
2. Connect the mains plug to a properly installed socket with a protective conductor (AC 220–240 V / 50 Hz).



- make sure the total thickness of laminated material can pass through outlet.
- pouches film range: 75 mic-250 mic
- machine can pouch A3, A4, A5, A6 size, A8 size
max. pouch thickness: 0.8 mm, max. pouch width: 336 mm

Operation



Risk of injury!

Handling the laminator improperly may result in injury.

- If an object (sleeves, tie etc.) is unintentionally taken into the laminating pouch infeed slot, immediately disconnect the mains plug.

NOTICE!

Risk of damage!

Improper handling of the laminator may lead to damage to the laminator or documents.

- Do not in any case laminate documents with a treated surface (e.g. fax or thermopaper, Polaroid pictures etc.) and papers with surfaces that may be altered through heat (tickets, ultrasonic scans etc.).
- Only use one laminating pouch per lamination, as laminating pouches may stick tightly together.
- Do not leave any laminating pouches in or next to the laminator after lamination.



When using the laminator, a slight odour may be produced. Ensure there is sufficient ventilation in the room, e.g. by opening windows.

Laminating

1. Connecting the power, and turn switch on.
2. When LCD display 0000 **5**, motor start running, power and ready light **8** on, now can do cold laminated.
3. Setting the temperature knob, machine will start heating, when reach the setting temperature, ready light will from flash to long bright, now can do hot laminating. When laminated pass through the outlet, please remove it at once, and setting in a flat place.

NOTICE!

LCD display is showing the current heater temperature, only can laminate when the ready indicator light is long bright. Please refer to below suggestion temperature setting chart to set a best configuration.

- 4. Insert the sealing end of pouch into the machine to start work.
- 5. The thickness over 250 mic pouches are forbidden.
- 6. Make sure the total maximum thickness of laminated material within 0.5 mm.
- 7. When jamming, hold the jam release lever till the jammed document pulled out.
- 8. When power failure or jam, take off the 2 pcs of machines cover screws by hand, and remove the cover to clean the jam paper (**Fig. A and Fig. B**)



- You may also put a heavy book or some similar flat materials to press the laminated materials in order to get good result.

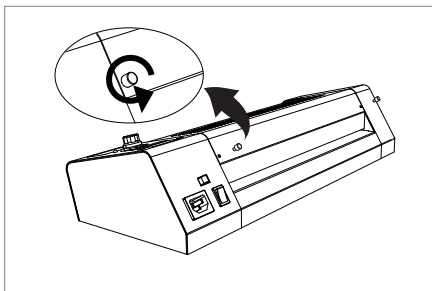


Fig. A

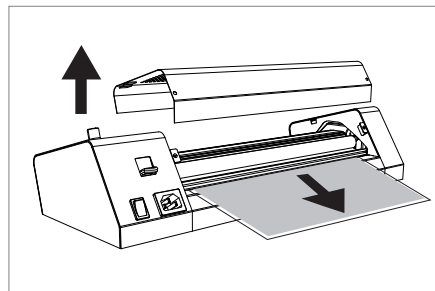


Fig. B

NOTICE!

When jam, please press jam release lever **1** to take out the jam paper, pouch thickness more than 150 mic might need more force to take it out.

Configuration chart

mic	g	°C
75	80–200	110
80	80–200	115
100	80–200	118
125	80–200	126
150	80–200	135
175	80–200	141
200	80–200	151
250	80–200	166

Pouch use instruction

Keep the material in the middle of pouch leave 3 mm margin at the each side, **Fig. C**, insert the sealing end into the laminator, **Fig. D**. Do not insert open-end into, or may cause jam and can not get good lamination result.

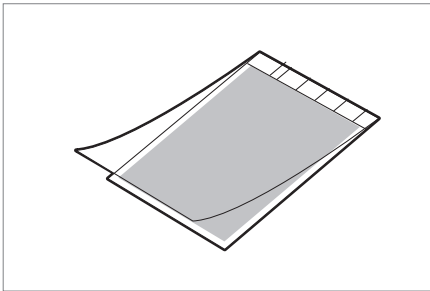


Fig. C

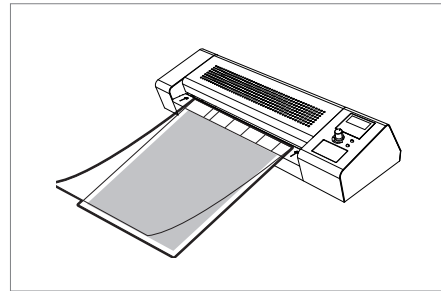


Fig. D



Risk of injury!

Handling the laminator improperly may result in injury.

- The laminated material is in high temperature when just pass through the outlet, so be carefully do not scald, also do not pull the laminated materials out from the exit to avoid any damage.

Cleaning



Burn hazard!

The laminator will become hot during operation. You may burn yourself.

- Always let the laminator cool off completely before you clean it.

NOTICE!

Risk of short circuit!

Water or other liquids that have penetrated the housing may cause a short circuit.

- Never submerge the laminator in water or other liquids.
- Make sure that no water or other liquids penetrate the housing.

NOTICE!

Risk of damage!

Improper handling of the laminator may result in damage to the laminator.

- Do not use any aggressive cleaners, brushes with metal or nylon bristles, sharp or metallic cleaning utensils such as knives, metal sponges and the like. They could damage the surfaces.
 - Do not in any case place the laminator in the dishwasher. It would be destroyed as a result.
1. Disconnect the mains plug before cleaning.
 2. Let the laminator cool off completely.
 3. Use a damp cloth to wipe off the laminator. Let all parts dry completely afterwards.

Storage


NOTICE!

Risk of damage!

Improper storage of the laminator may result in damage to the laminator.

- Never store the laminator next to a heat source.
- Do not fold or kink the mains cord.
- Only stow the laminator if it is dry.
- Always store the laminator in a clean, dry area that it is protected from direct sunlight and is not accessible for children.
- Use the original packaging for storage.

Technical data

Model:	AL3600
Mains voltage:	AC 220–240 V / 50 Hz
Power consumption:	1000 W; 4.4 A
Protection class:	II 
Weight:	approx. 4.1 kg
Dimensions (W × D × H):	472 mm × 178 mm × 110 mm
Preheating time:	3–8 min.
Pouch thickness:	75 mic to 250 mic
Operating speed:	400 mm/min. (+/- 5%)
Maximum film width:	up to A3
Maximum pouch width:	336 mm
Maximum thickness:	0.8 mm
Lamination:	hot and cold lamination

Technical changes reserved.

Declaration of conformity



The EU declaration of conformity can be requested from the address specified on the enclosed warranty card.

Disposal

Disposing of the packaging



Dispose of the packaging separated into single type materials. Dispose of cardboard and carton as waste paper and foils via the recyclable material collection service.

Disposing of old devices

(Applicable in the European Union and other European states with systems for the separate collection of reusable waste materials)



Old devices may not be disposed of in the household waste! Should the laminator no longer be capable of being used at some point in time **dispose of it in accordance with the regulations in force in your state or country.** This ensures that old appliances are recycled in a professional manner and also rules out negative consequences for the environment. For this reason, electrical equipment is marked with the symbol shown here.

WARRANTY CARD

A3 Laminator AL3600

Please complete this warranty card and enclose it with the machine, together with your proof of purchase.

**2 year
WARRANTY**

Customer data:

Surname, first name:

Street, number:

Postcode, town:

Country:

Telephone number with international dialing code:

E-mail:

Description of fault:

Date of purchase:

Date/signature:

Note:

When claiming on the warranty, the warranty card and the proof of purchase must be included with the machine as well as a detailed description of the fault wherever possible. Warranty cards sent separately afterwards will not be accepted.

Customer Service:

service hotline: +32 2 531 00 00

service website: <http://rma.acropaq.com>

service address: ACROPAQ NV/SA, Assesteenweg 117-9, 1740 TERNAT, BELGIUM

e-mail: info@acropaq.com





ACROPAQ

Customer Service:

service hotline: +32 2 531 00 00

service website: <http://rma.acropaq.com>

service address: ACROPAQ NV/SA, Assesteenweg 117-9, 1740 TERNAT, BELGIUM

e-mail: info@acropaq.com